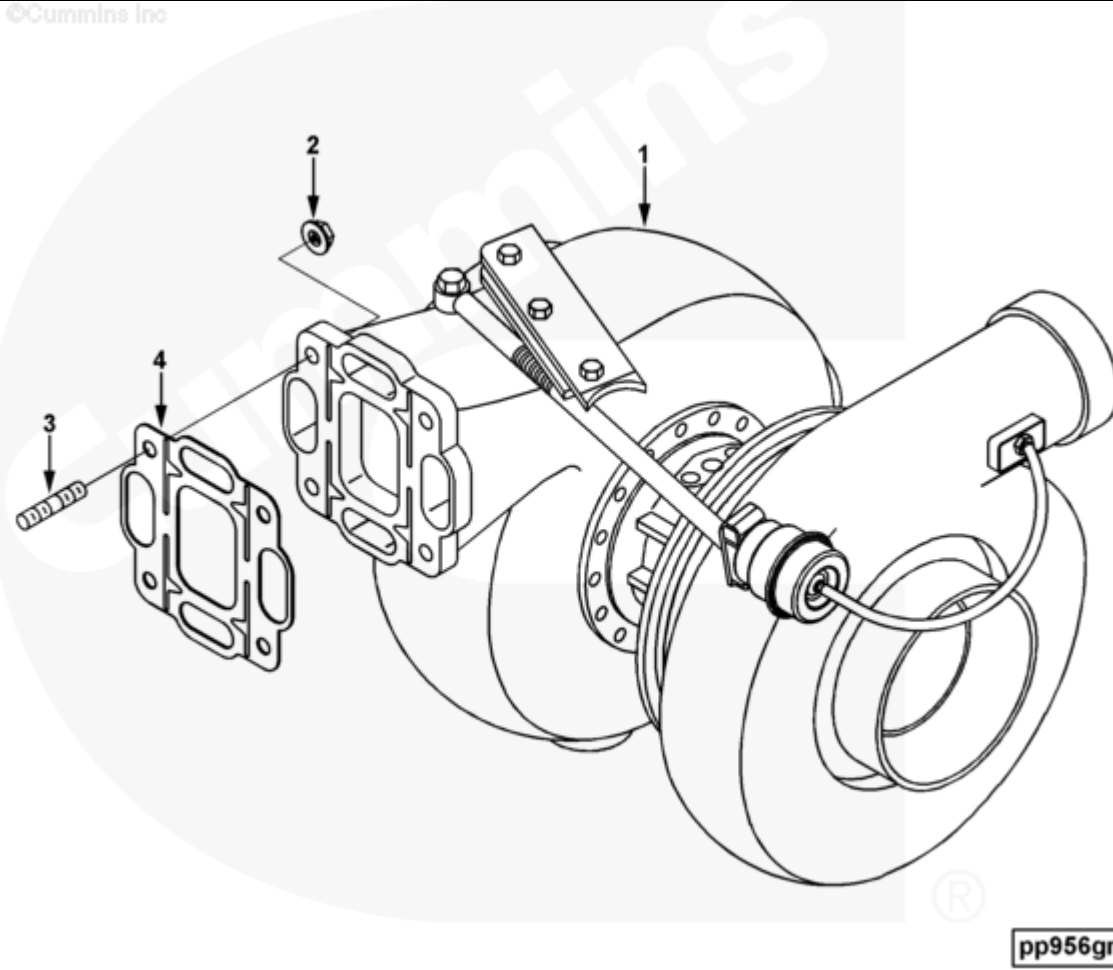




## Parts Catalog - Option Detail

Electronic Parts Catalog - Option Detail				
Option	Group	Graphic	Film Card	Date
PP97893-03	10.05	pp956gm	Z	11-SEP-02
<b>Engines</b>	6C8.3, C GAS PLUS CM556, G8.3, G8.3 CM558, GTA8.3 CM558, ISC CM2150, ISC CM554, ISC CM850, ISC8.3 CM2250, ISC8.3 G CM2180 C101, ISL CM2150, ISL CM554, ISL CM850, ISL G CM2180, ISL8.9 CM2150 L110, ISL8.9 CM2880 L112, ISL9 CM2150 SN, ISL9 CM2250, ISL9 CM2350 L101, ISL9 CM2350 L111, ISLE4 CM850, L GAS PLUS CM556, L8.9, L8.9 L121, L8.9G CMOH2.0 L125B, L9 CM2350 L116B, L9 CM2350 L119B, L9 CM2350 L120C, L9 CM2350 L123B, L9.3 L105, L9.5 L117, L9N CM2380 L124B, QSC8.3 CM2250, QSC8.3 CM2880 C102, QSC8.3 CM554, QSC8.3 CM850(CM2850), QSL9 CM2250, QSL9 CM2250 L115, QSL9 CM2350 L102, QSL9 CM2350 L107, QSL9 CM2350 L118, QSL9 CM2350 L122, QSL9 CM554, QSL9 CM850(CM2850), QSL9 G CM558, QSL9 M CM2250 L106, QSL9.3 CM2880 L113			



SMALL | MEDIUM | LARGE

Cart	Ref No	Part Number	Part Description	Required	Remarks
View My Cart					
		PP97893-03	Turbocharger		

					Engine Family: "C" Series
					Turbocharger Location: RMSO
					Base ID17 turbocharger:
					3955086
					Turbocharger Type: Wastegate
					Compressor Angle (shipping
					degrees):
					Turbine Angle (deg):
					Structure Code: 02 EBM
					Engine Cylinders: 6
					Engine Aspiration: Sea water
					Aftercooled, Turbocharged.
					HX55 W for QSC 450 HP Marine
					engine.
					HX55 W-E9871 M/J14 S3
					for QSC 450 HP Marine engine.
<input type="checkbox"/>		<a href="#">4025388</a>	Turbocharger	1	
<input type="checkbox"/>	1	<a href="#">3595086</a>	Turbocharger	1	HX55 W-E9871 M/J14 S3
<input type="checkbox"/>	2	<a href="#">3902662</a>	Hexagon Flange Nut	4	M10 x 1.50
<input type="checkbox"/>	3	<a href="#">3937123</a>	Double End Plain Stud	4	M10 x 1.50 (Both Ends) x 50
<input type="checkbox"/>	4	<a href="#">3921926</a>	Turbocharger Gasket	1	
<input type="checkbox"/>		<a href="#">3519807</a>	Turbocharger Gasket		Holset P/N 3914388
<input type="checkbox"/>		<a href="#">3883284</a>	O-Ring Seal	1	
<input type="checkbox"/>		<a href="#">3037537</a>	O-Ring Seal	1	
<input type="checkbox"/>		<a href="#">3922794</a>	O-Ring Seal	1	
<input type="checkbox"/>		<a href="#">3755947</a>	Sealing Washer	2	